

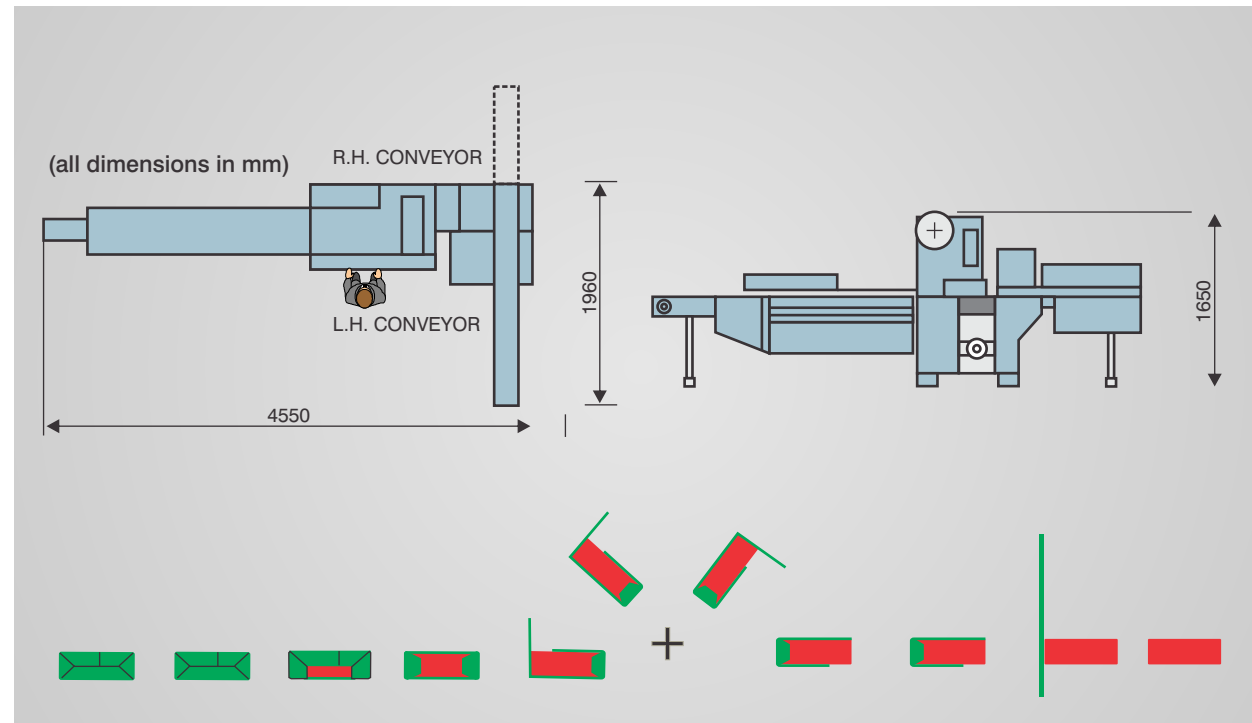
# WRAPPER 4000

## SPECIAL FEATURES

- High speed
- Low and easy maintenance
- Link ability
- High productivity
- PLC / Servo system

## OPTIONS

- Packing date printer
- Flexible infeed conveyor to suit plant layout
- Conversion parts for size change
- Collator for easy handling of detergent bar
- White oil applicator for outside polycoated wrapper



## SPECIFICATIONS

### PRODUCT SIZE (all dimensions in mm)

L max 175      W max 65      H max 40  
 L min 65      W min 35      H min 13  
 other dimensions may be considered on request combination  
 of max. sizes may be out of the range of specification

### WRAPPER

Max Dia 400mm      Core Dia 70mm  
 Material : PAPER/POLY/HOTMELT LAMINATION

### ELECTRICAL

Supply Voltage : 3 Phase 220V, 50HZ  
 Motor : 2HP, 3 Phase  
 Heater Power : 3.3 KW

Machine Speed Upto 180 PPM  
 Infinitely Variable  
 Machine Weight : 1200 Kgs. approx.



**KHOSLA MACHINES PVT. LTD.**  
 B-17, Industrial Area, Phase-2,  
 Mohali 160 051, Punjab, INDIA.

TEL : 91+172+2225587, 91+172+2227324  
 FAX : 91+172+2271146  
 Website : www.khoslamachines.com  
 E-mail : info@khoslamachines.com

Technical specifications may vary because of continuous development

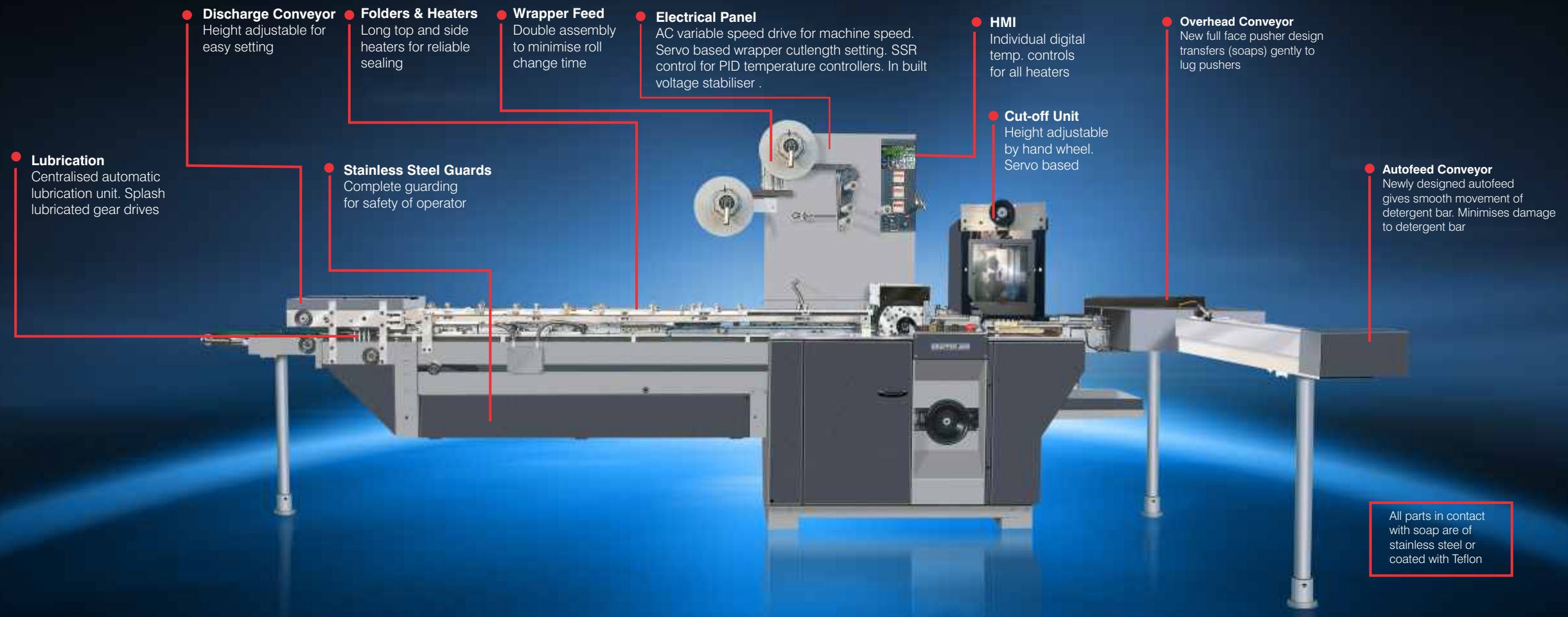


**KHOSLA**  
 listen innovate deliver



WRAPPER 4000  
 DETERGENT BAR / LAUNDRY SOAP  
 WRAPPING MACHINE





## STANDARD FEATURES

- High speed operation of upto 180 tablets per minute
- The new design Autofeed Conveyor provides attention free linking with the cutting machine / stamping machine to match the speed of production
- Excellent quality of detergent bar handling, even for soft bar
- Timing belts (80%) allow maintenance free operation for long periods
- Automatic centralised lubrication
- Double spool holder to save reel change over time, integrated with “wrapper-break-machine-stop” interlock
- PLC / Servo system for wrapper cut length
- Height adjustable cut off unit
- Simple to maintain “no-packet-no-wrap” interlock
- Long top and side heaters with Cooling Plates for reliable sealing at high speed
- Digital temperature controllers for all heaters (separate front and rear side heaters)
- Stainless steel guards
- Completely guarded drives
- All parts in contact with detergent bars are either stainless steel or coated with Teflon. Conveyor belt is of food grade quality
- Height adjustable discharge conveyor



## OUR OTHER MACHINES FOR SOAP WRAPPING

- LOGIPAC 22S • WRAPPER 6000T • WRAPPER 6000D
- WRAPPING 4000T • ABM 1100 • FINSEAL 11MP

